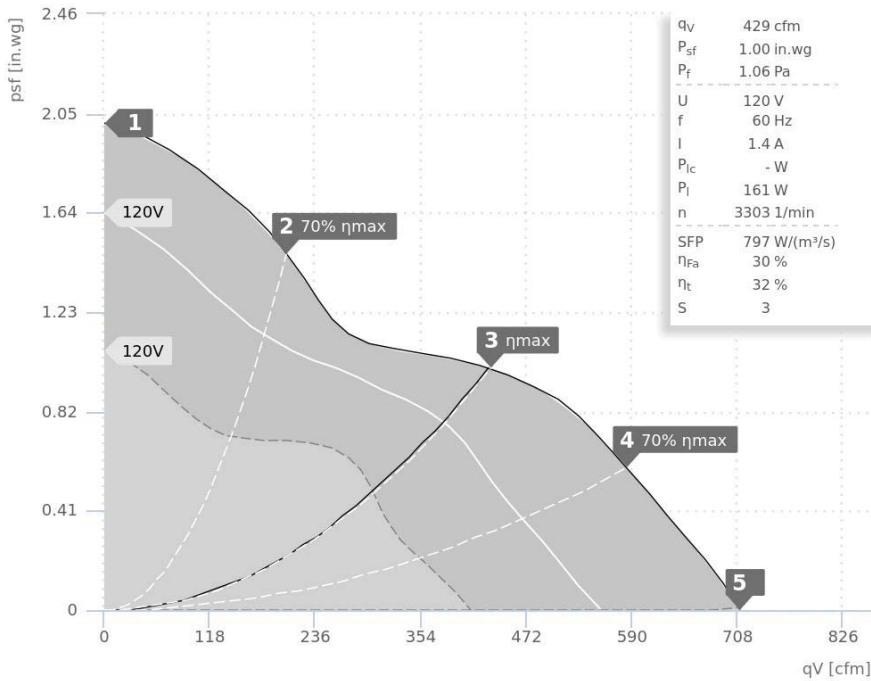


DATA SHEET

OPTIMUS | 147968



Operating Point		1	2	3	4	5
Current I	A	0,0	0,0	0,0	0,0	0,0
Power consumption P _l	W	-	-	-	-	-
RPM n	1/min	-	-	-	-	-
SPL inlet L _{WA5}	dB(A)	-	-	-	-	-
SPL outlet L _{WA6}	dB(A)	-	-	-	-	-
SPL casing break out L _{WA2}	dB(A)	-	-	-	-	83

Sound power (L _W) dB(A)		Medium Frequency Band								
		Σ	63	125	250	500	1k	2k	4k	8k
Inlet	L _{WA5}	-	-	-	-	-	-	-	-	-
Outlet	L _{WA6}	-	-	-	-	-	-	-	-	-
Casing	L _{WA2}	-	-	-	-	-	-	-	-	-

OPTIMUS 147968	
Voltage U _N	120 V 1~
Current I _{max}	1,9 A
Ambient temperature t _A	40 °C
Medium temperatures t _M	40 °C
Speed Control	3-2-1
Motor protection	TAI
Insulation class motor	F
Weight	0,0 kg
Poles	2
IP motor	IP00
IP terminal box	-
Min. operating temperature	-25 °C

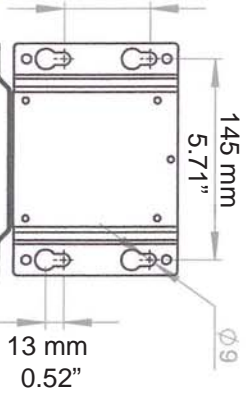
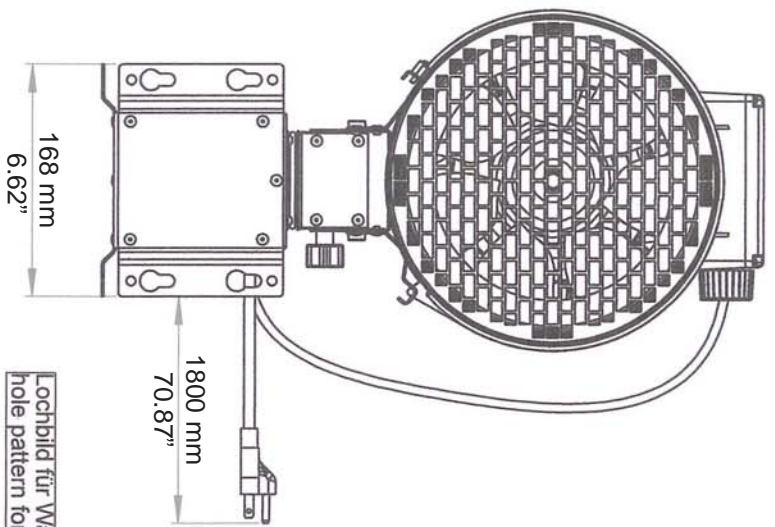
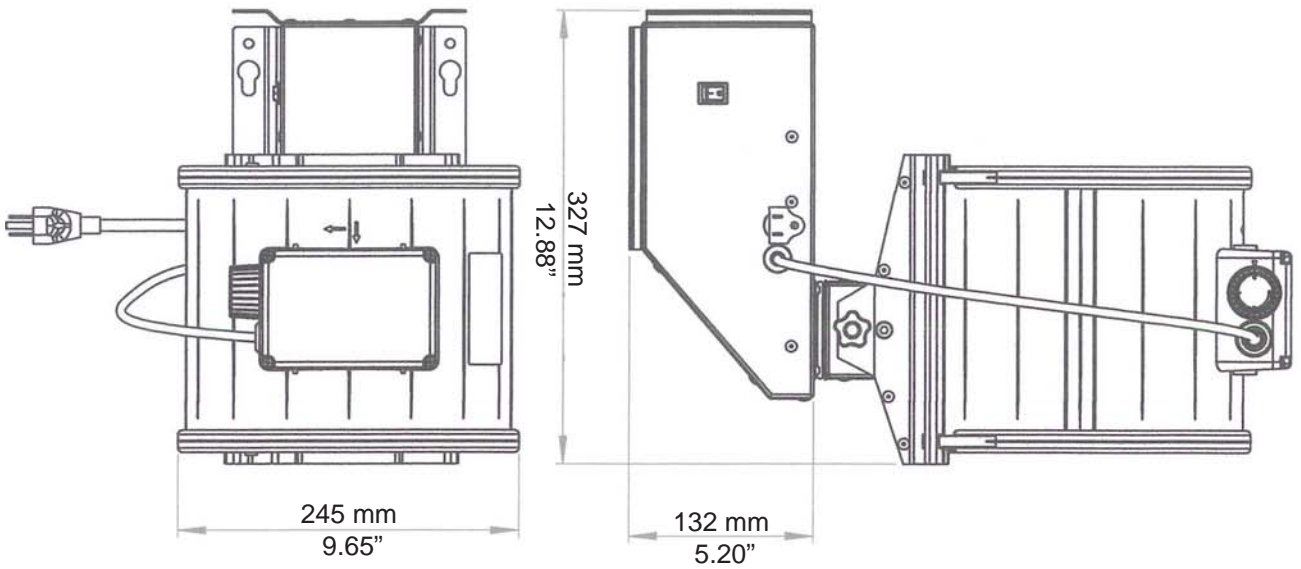
Ruck Air Movement - Master Series by



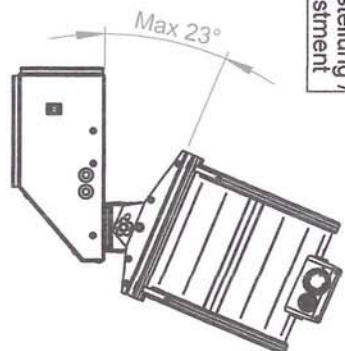
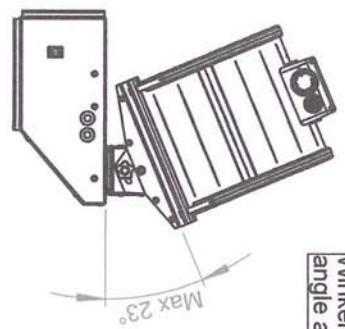
2082 58th Ave. Circle E.
Bradenton, FL 34203

Phone: 941.739.0879
Fax: 941.739.0881

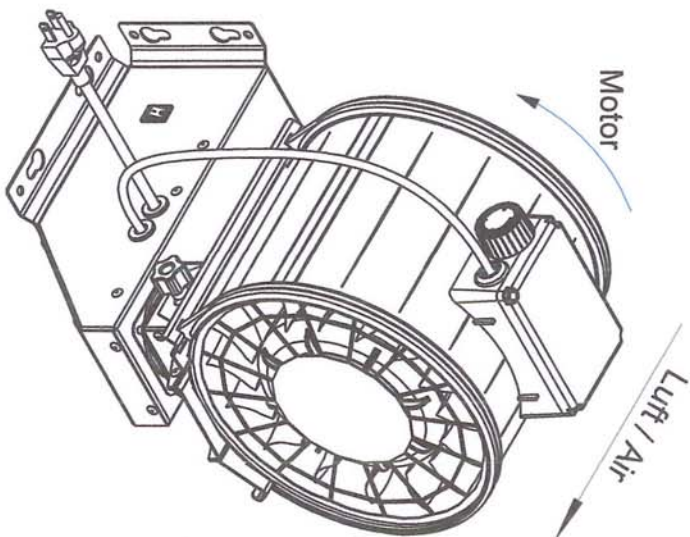
www.mastervent.com marion.pye@mastervent.com



Lochbild für Wandmontage /
hole pattern for wall mounting



Winkelverstellung /
angle adjustment



2082 58th Ave, Circle E.
Bradenton, FL 34203

Phone: 941.739.0879
Fax: 941.739.0881

www.mastervent.com
marion.pye@mastervent.com

OPTIMUS 147968